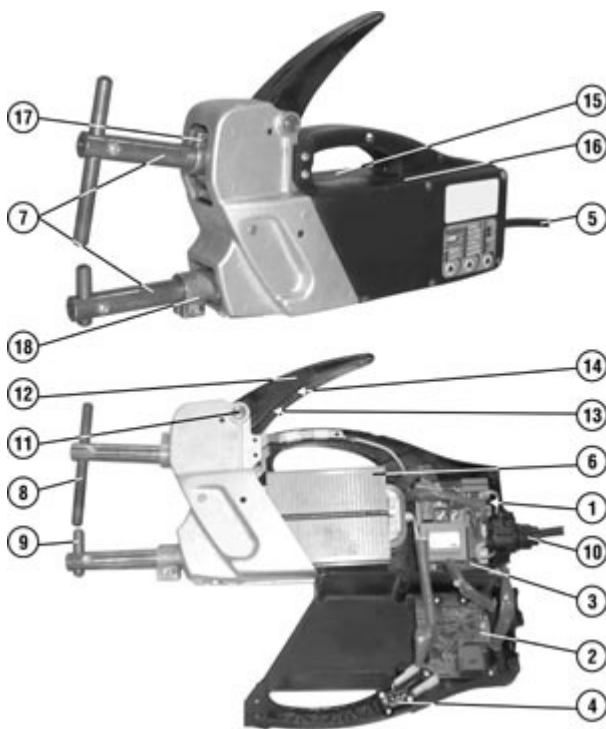


**SPARE PARTS DIGITAL MODULAR 230 230V key 823016**
[Print](#)
[Close](#)

DIGITAL\_MODULAR\_230\_230V ▾



Ref.	Description	Key
1	SCR	113585
2	CONTROL BOARD KIT	980474
3	POWER BOARD KIT	980469
4	MICROSWITCH	122393
5	MAINS CABLE 3G2.5 3 M	132104
6	TRANSFORMER	169034
7	ELECTRODE HOLDER ARM KIT	980290
8	STRAIGHT ELECTRODE L=100MM D.12MM	690049
9	STRAIGHT ELECTRODE L=50MM D.12MM	690050
10	KIT CABLE BUSHING + RING NUT	990046
11	PIN	482887
12	HANDLE COVER	322512
13	SCREW	212163
14	BUSH	322518
15	RIGHT SHELL	322510
16	LEFT SHELL	321033
17	UPPER ARM CLAMP	522020
18	LOWER ARM CLAMP	522023
19	SPRING	452096
20	SPRING	452113